

**TARA Two-hole bath mixer for free-standing assembly with hand shower set -  
Brushed Platinum**

TARA

25 943 882

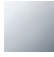

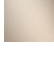

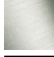



- 220mm projection
- pivotable spout 180°
- spout: circular, air-enriched flow
- Hand shower: COMPACT RAIN, max. flow rate 6.8 l/min (at 3 bar)
- hand shower with anti-scale system
- rotary diverter for bath/shower
- total height 920 mm
- stand pipes height 628 mm
- height up to aerator 765 mm
- slide-on rosettes Ø 90 mm
- gauge 150 mm
- metal shower hose 1250mm with integrated anti-twist protection
- pivotable shower holder on the right foot
- max. flow 22 l/min at 3 bar flow pressure

**Note: Local building codes may require the use of an anti-scald device. Please refer to remote pressure balance valve (35 910 970 90) Intrinsic protection against back flow.**

Note: Local building codes may require the use of an anti-scald device. Please refer to remote pressure balance valve (35 910 970 90)

Intrinsic protection against back flow.

|  |                               |               |
|--|-------------------------------|---------------|
|   | Brushed Platinum              | 25 943 882-06 |
|   | Chrome                        | 25 943 882-00 |
|   | Platinum                      | 25 943 882-08 |
|   | Dark Chrome                   | 25 943 882-19 |
|   | Brushed Durabrass (23kt Gold) | 25 943 882-28 |
|   | Matte Black                   | 25 943 882-33 |
|   | Brushed Champagne (22kt Gold) | 25 943 882-46 |
|   | Champagne (22kt Gold)         | 25 943 882-47 |
|   | Brushed Chrome                | 25 943 882-93 |
|  | Brushed Dark Platinum         | 25 943 882-99 |

**Required miscellaneous**



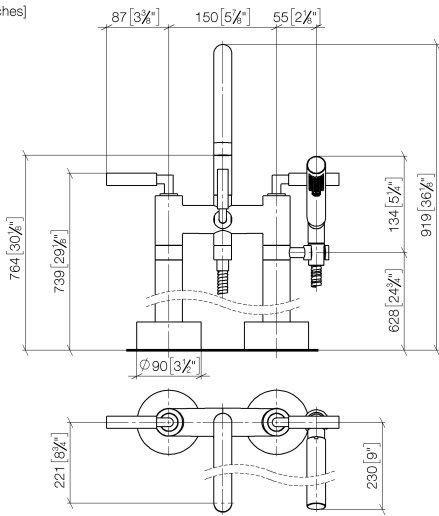
- Concealed floor mounting -**
- max. recess depth 160 mm
  - min. recess depth 80 mm

35 951 970-90  
0010

**TARA Two-hole bath mixer for free-standing assembly with hand shower set -  
Brushed Platinum**

TARA

25 943 882  
mm [inches]



**Flow rate chart**



**Codes & Standards**

ASME  
A112.18.1/CSA  
B125.1



TARA Two-hole bath mixer for free-standing assembly with hand shower set -  
Brushed Platinum

---

TARA

25 943 882

Certificates

---

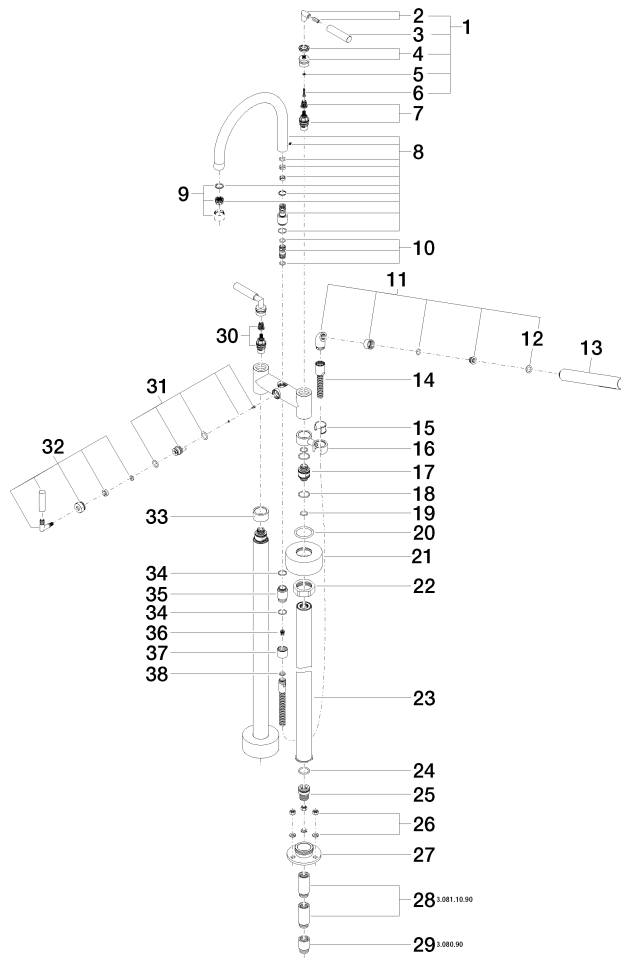
IAPMO\_4976 (5).

WRAS\_2212005.

LGA\_18932.

Belgaqua\_21-033-  
27\_2.

25 943 882





# TARA Two-hole bath mixer for free-standing assembly with hand shower set - Brushed Platinum

TARA

25 943 882

## Spare parts list

| No.  | Item Number        | Name   | Quantity used | Delivery time |
|--|--------------------|--|---------------|---------------|
| 1  | 04 20 88 052 00-06 | handle   | 2             | 10            |
| 2  | 04 18 20 022 00-06 | angle  | 2             | 10            |
| 3  | 09 20 88 052-06    | handle   | 2             | 10            |
| 4  | 90 12 12 007 00-06 | base   | 2             | 10            |
| 5  | 90 30 11 029 00 90 | disc   | 2             | 2             |
| 6  | 90 30 30 075 00 90 | screw  | 2             | 2             |
| 7  | 90 90 03 130 00 90 | top  | 1             | 2             |
| 8  | 90 28 22 222 00-06 | spout  | 1             | 10            |
| 9  | 90 23 01 024 00-06 | aerator  | 1             | 10            |
| 10   | 90 21 10 011 00 90 | diverter   | 1             | 2             |
| 11   | 04 24 04 189 00-06 | nipple   | 1             | 10            |
| 12   | 90 14 20 002 00 90 | seal   | 1             | 2             |
| 13   | 28 019 979-06      | Hand shower - Brushed Platinum                             | 1             | 10            |
| 14   | 90 30 02 072 00-06 | Metal shower hose 1/2" x 3/8" x 1250 mm - Brushed Platinum | 1             | 10            |
| 15   | 90 18 40 035 00 90 | sleeve   | 1             | 2             |
| 16   | 04 28 10 029 01-06 | holder   | 1             | 10            |
| 17   | 09 29 05 021 20 90 | nipple   | 2             | 2             |
| 18   | 09 14 10 112 90    | seal   | 4             | 2             |
| 19   | 90 14 10 055 00 90 | seal   | 4             | 2             |
| 20   | 09 14 10 041 90    | seal   | 2             | 2             |
| 21   | 09 27 89 025-06    | rosette  | 2             | 10            |
| 22   | 09 23 30 040-07    | nut  | 2             | 30            |
| 23   | 04 28 22 009 20-06 | connection   | 2             | 10            |
| 24   | 09 14 10 081 90    | seal   | 2             | 2             |
| 25   | 09 24 03 094-07    | nipple   | 2             | 30            |
| 26   | 04 23 10 023 00 90 | fixing set   | 2             | 2             |
| 27   | 09 30 11 130-07    | connection   | 2             | 30            |
| 28   | 09 24 03 081 10 90 | extension  | 4             | 2             |
| 29   | 09 24 03 080 90    | extension  | 2             | 2             |
| 30   | 90 90 03 131 00 90 | top  | 1             | 2             |
| 31   | 90 15 01 005 00 90 | insert   | 1             | 2             |
| 32   | 90 18 20 025 00-06 | diverter   | 1             | -             |
| Spare part can no longer be ordered, please order the replacement item |                    |  |               |               |
| 33   | 09 28 10 028-06    | sleeve   | 1             | 10            |
| 34   | 90 14 10 032 00 90 | seal   | 2             | 2             |
| 35   | 09 24 03 121-06    | nipple   | 1             | 10            |
| 36   | 09 23 01 131 90    | back-flow preventer  | 1             | 2             |
| 37   | 09 21 02 143-06    | sleeve   | 1             | 10            |
| 38   | 90 14 20 026 00 90 | seal   | 1             | 2             |